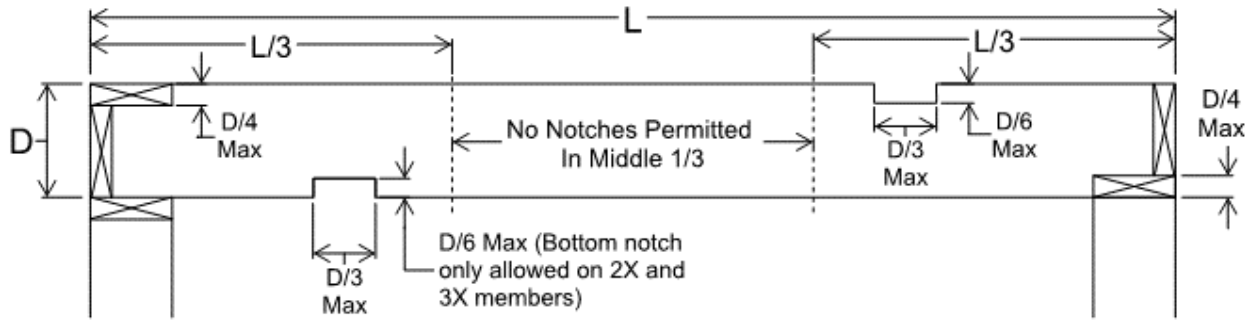


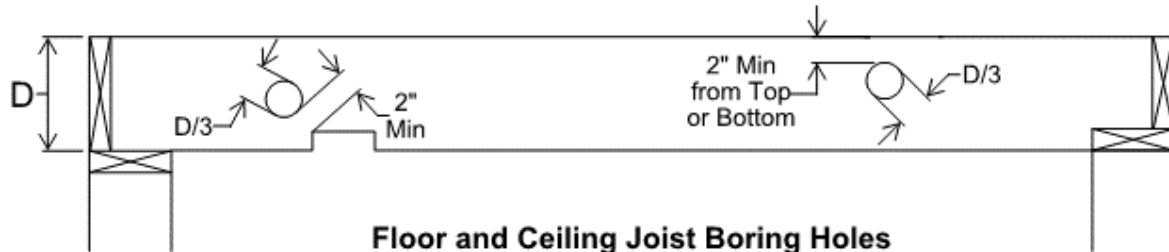
CLIENT ASSISTANCE MEMO

Notching & Boring Framing Members

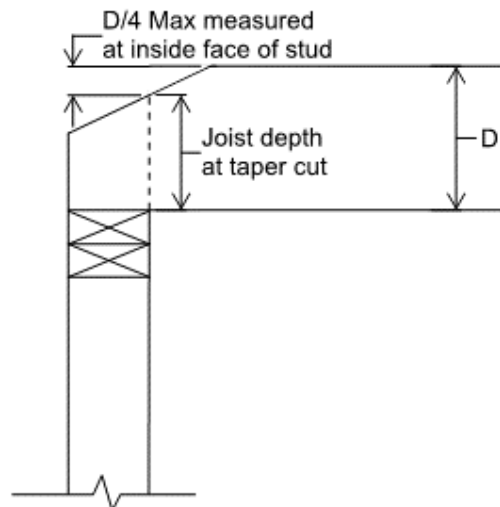
This Tip Sheet reflects code requirements of the 2015 International Residential Code (IRC) with Washington State Amendments.



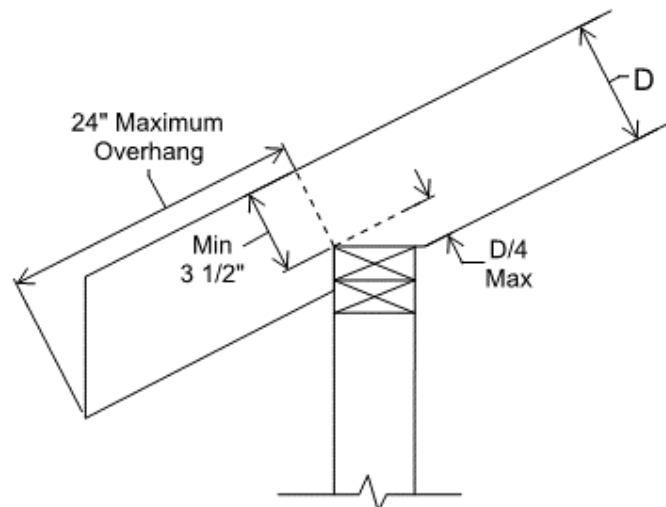
Floor and Ceiling Joist Notching



Floor and Ceiling Joist Boring Holes

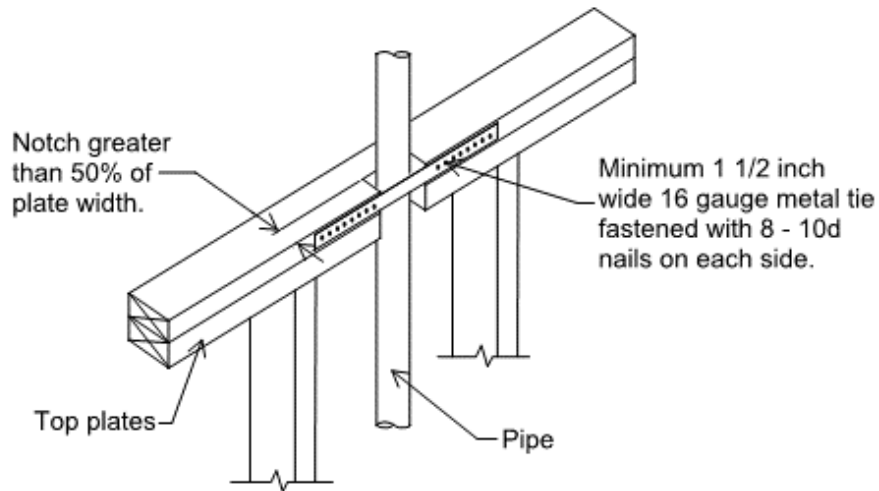
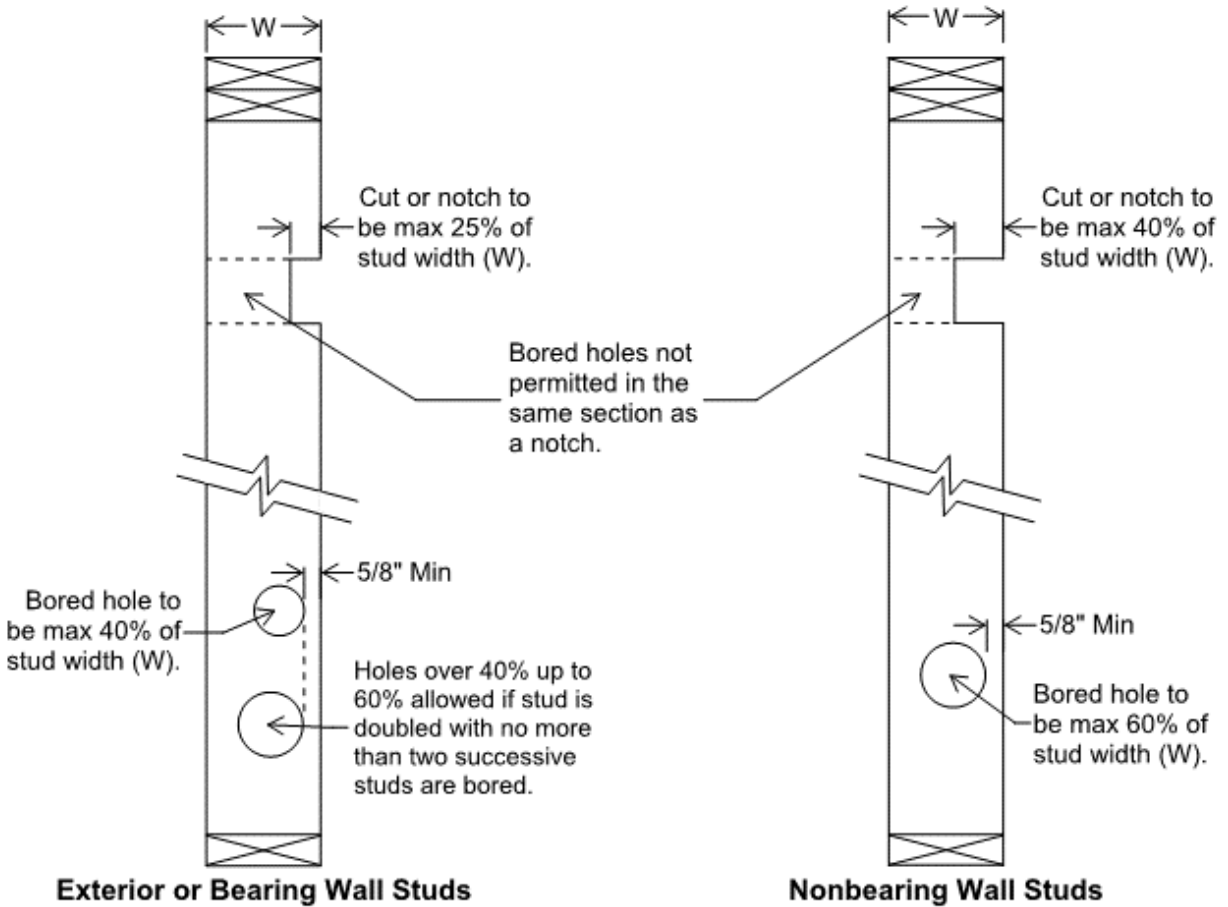


Ceiling Joist Taper Cutting



Rafter Notching

Notching & Boring Framing Members



Drilling and Notching of Top Plates

The intent of this Tip Sheet is to provide a general understanding of the code requirements and does not address the subject in great detail. Should you have any questions please call the Building Department at (253) 851-6170.