

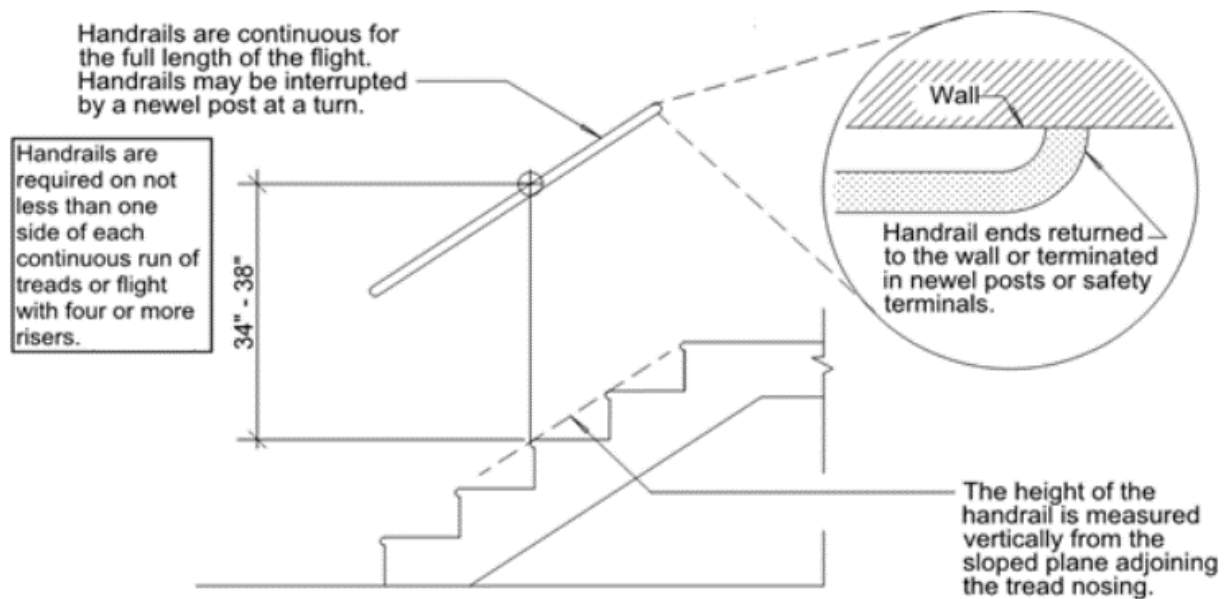
CLIENT ASSISTANCE MEMO

Residential Handrails

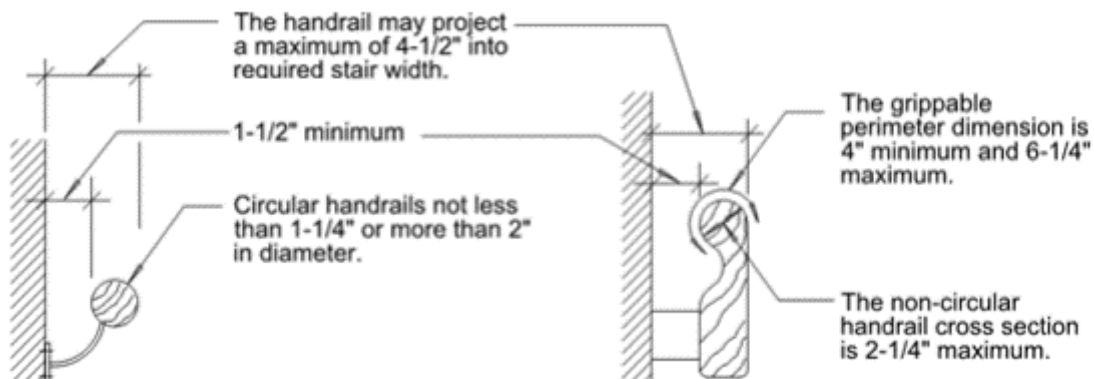
This Tip Sheet reflects code requirements of the 2015 International Residential Code (IRC) with Washington State Amendments.

Handrails are required on at least one side of each continuous run of treads or flight with four or more risers.

Typical Handrail Elevation R311.7.8



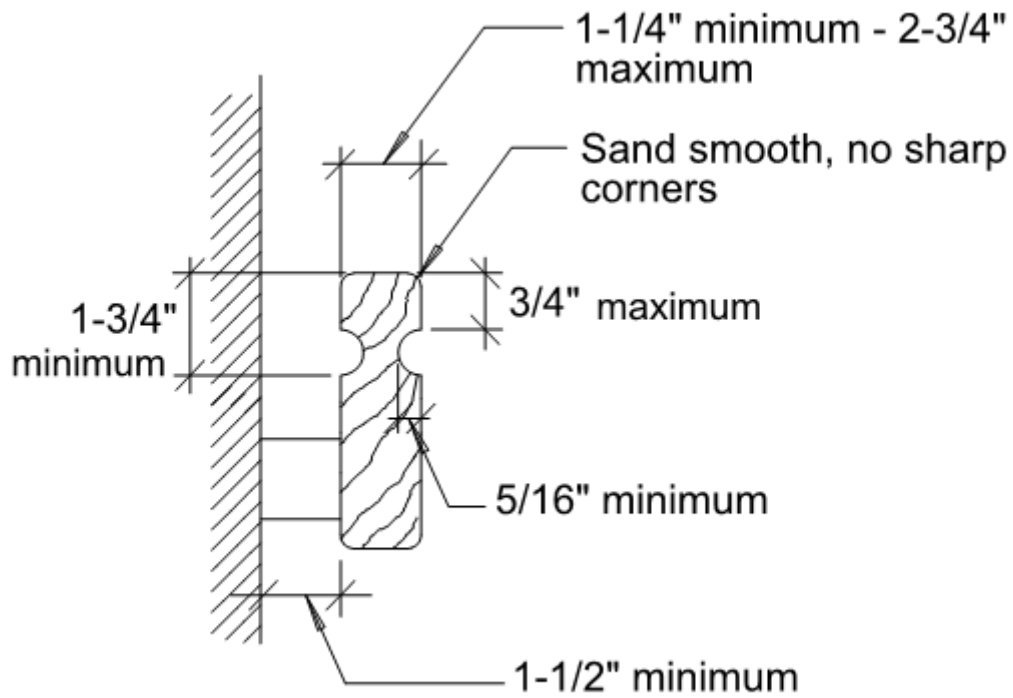
Type I Handrails R311.7.3



Type II Handrails

R311.7.8.3

(At handrails with a perimeter greater than 6-1/4")



Unacceptable Handrails

